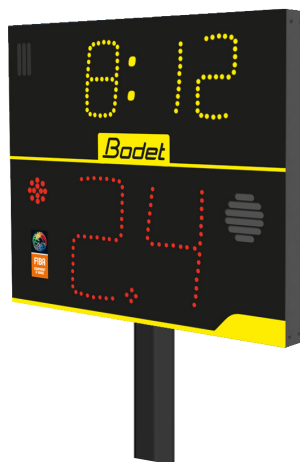


Indoor shot clock display panel dedicated to Basketball



Shot Clock Display



Time Pad keyboard



General characteristics

- Indoor use.
- High luminosity SMD LED technology.
- Display 24/14 sec shot clock - sec or 1/10 sec.
- Brightness adjustable via the Scorepad touch screen. Can be adjusted during a match.
- HF radio (868 MHz) communication.
- Built-in horn (120dB at 1 metre).

Certification and compliance for the marking CE

- RED (radio): EN 301 489-3, EN 300 220-2.
- Electromagnetic compatibility (EMC): EN 55024, EN 55032.
- Low voltage: EN 60950.
- Ball shock proof test: DIN 18032-3.

Scoreboard display

8006	Number of Digits	Height of Digits	LED colour
• Shot clock (14/24sec to 0).....	2 + 1 comma	25 cm	Red 
• Game clock.....	4	15 cm	Yellow 

Technical data

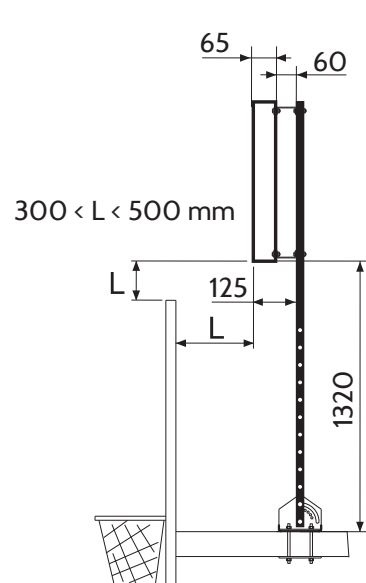
Dimensions.....	L720 x H610 x D65 mm.
Weight.....	Single face: 20 kg. Double sided: 40 kg.
Scoreboard construction.....	Steel casing.
Protection ratings.....	IP20, IK09 (Norme DIN 18032-3).
Optimal reading distance.....	120 m.
Reading angle.....	160°.
Power supply.....	100-240VAC.
Power consumption.....	Single face: 12 W. Double sided: 24 W.
Protection level.....	16 A Circuit breaker.
Communication.....	Time Pad keyboard and Scorepad. 8006 linked by wire or HF radio to Scorepad.

References

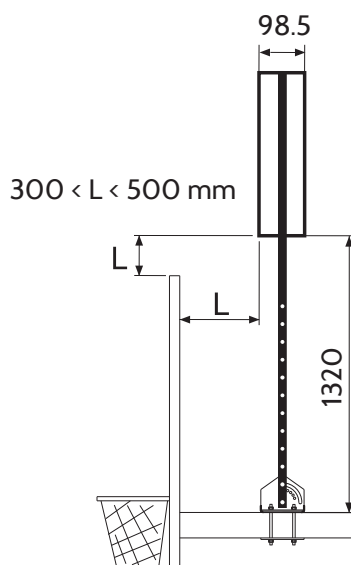
- 916 432..... 8006 single-sided HF (delivered with mast).
- 916 433..... 8006 front double sided HF (delivered with mast).
- 916 434..... 8006 rear double sided HF (delivered with mast).

Support

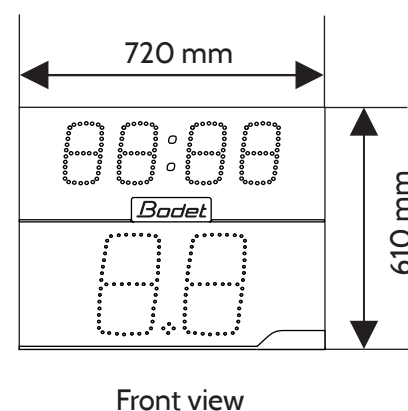
Single-sided (ref.: 916432)



Front double sided (ref.: 916433)

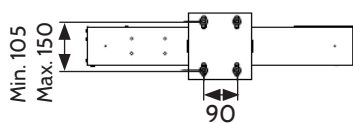


8006

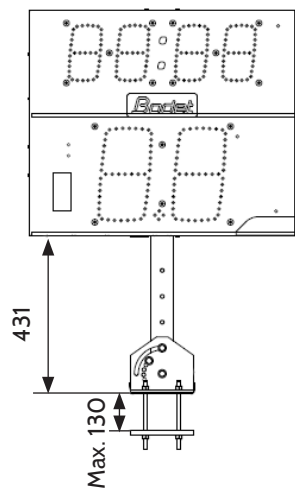


8006

Fixing base:

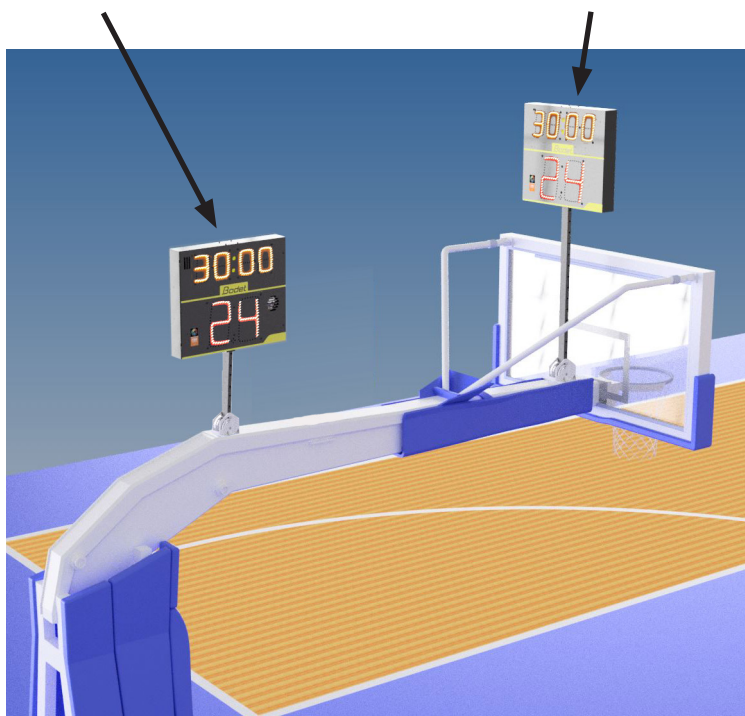


Rear double sided (ref.: 916434)



Rear double sided (ref.: 916434)

Front double sided (ref.: 916433)



Note: the backboard red LED strip and the yellow LED strip are driven by the 8006 front double sided (ref.: 916433) only.